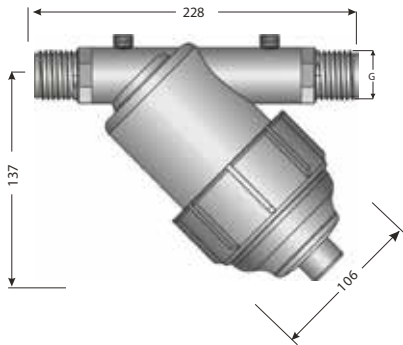


# Disk filters Y

MODELS  
 4375 : 3/4"  
 4374 : 1"

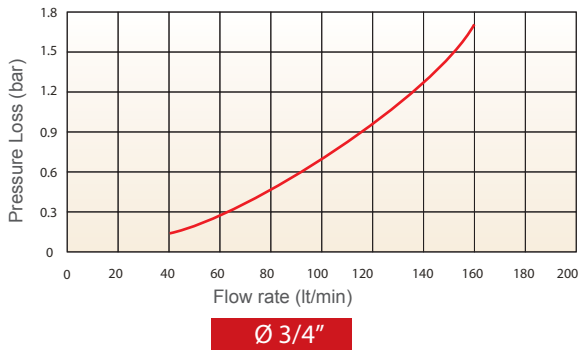


## Technical features

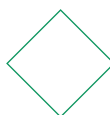
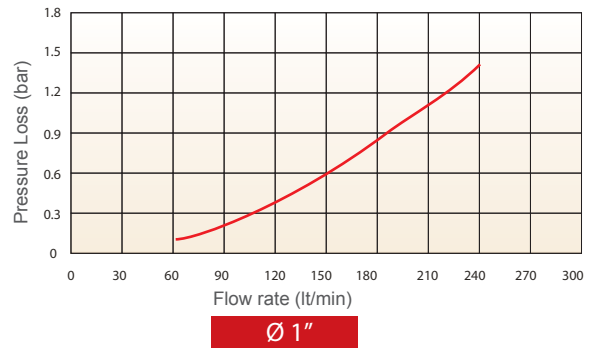
- Disk filters 120 mesh
- Max pressure : 8 bar
- Polypropylene body
- Filtering area : 184,5 cm<sup>2</sup>
- Max flow 3/4" : 5,4 m<sup>3</sup>/h
- Max flow 1" : 8,4 m<sup>3</sup>/h



Pressure loss graph



Pressure loss graph

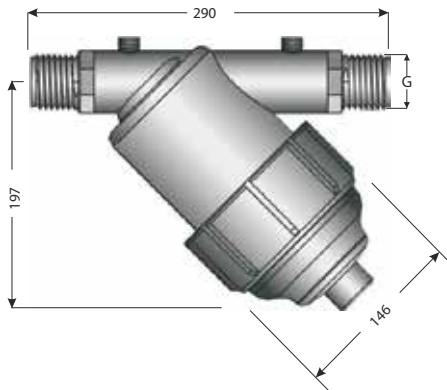


## Disk filters Y

### MODELS

4373 : 1"1/2

4372 : 2"



## Technical features

Disk filters : 120 mesh

Max pressure : 8 bar

Polypropylene body

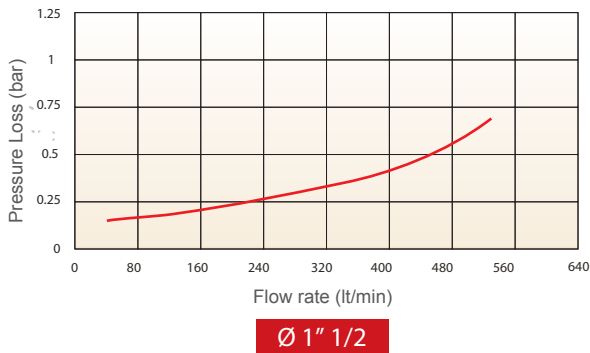
Filtering area : 490 cm<sup>2</sup>

Max flow 1 1/2" : 27,6 m<sup>3</sup>/h

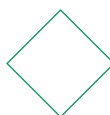
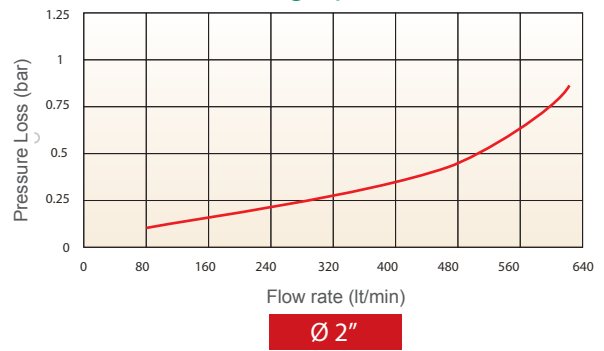
Max flow 2" : 30,0 m<sup>3</sup>/h



### Pressure loss graph



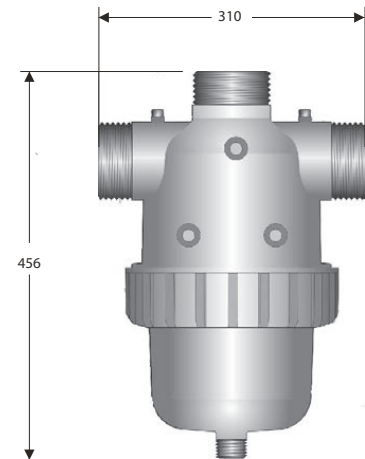
### Pressure loss graph



## Disk filters T

MODELS

4371 : 2"



## Technical features

Disk filters : 120 mesh

Max pressure : 8 bar

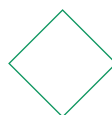
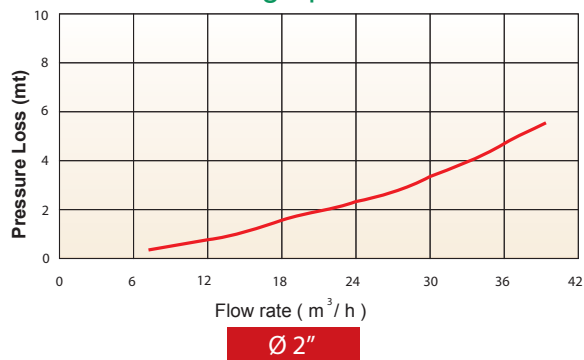
Polypropylene body

Filtering area : 878 cm<sup>2</sup>

Max flow 2" : 31,8 m<sup>3</sup>/h



## Pressure loss graph

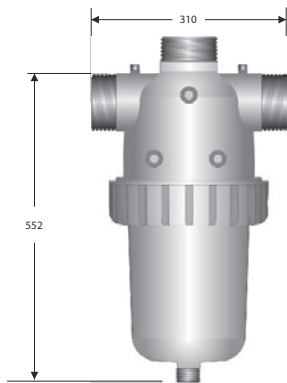


## Disk filters T

MODELS

4370 : 2"

4369 : 3"



## Technical features

Disk filters : 120 mesh

Max pressure : 8 bar

Polypropylene body

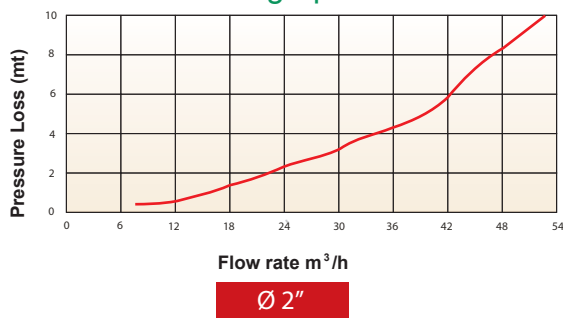
Filtering area : 1245 cm<sup>2</sup>

Max flow 2" : 34,8 m<sup>3</sup>/h

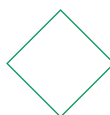
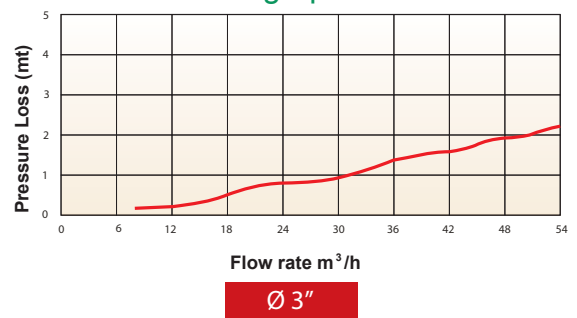
Max flow 3" : 47,4 m<sup>3</sup>/h



Pressure loss graph



Pressure loss graph



## Disk filters in-line

MODELS

4368 : 3"

4367 : 4"



## Technical features

Disk filters : 120 mesh

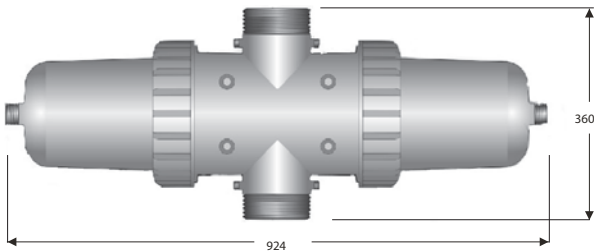
Max pressure : 8 bar

Polypropylene body

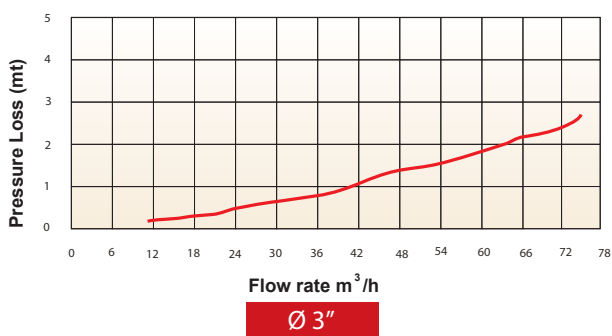
Filtering area : 2490 cm<sup>2</sup>

Max flow 3" : 61,2 m<sup>3</sup> / h

Max flow 4" : 72,0 m<sup>3</sup> / h



Pressure loss graph



Pressure loss graph

